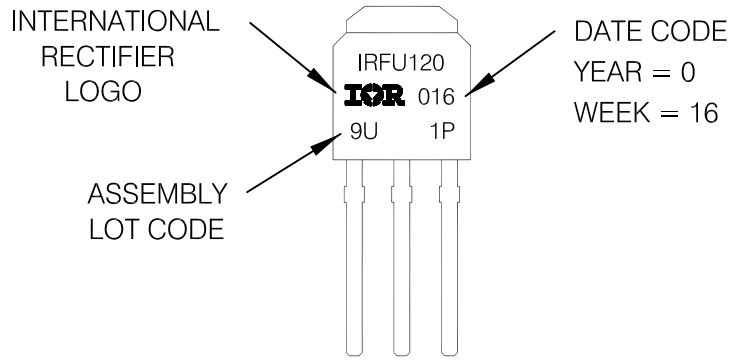


TO-251AA (I-PAK)

Notes: This part marking information applies to devices produced before 02/26/2001

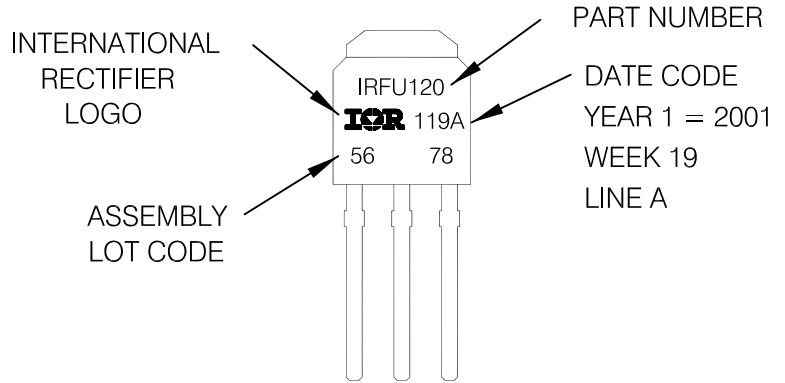
EXAMPLE: THIS IS AN IRFU120
WITH ASSEMBLY
LOT CODE 9U1P



TO-251AA (I-PAK) Lead - Free

Notes: This part marking information applies to devices produced after 02/26/2001

EXAMPLE: THIS IS AN IRFU120
WITH ASSEMBLY
LOT CODE 5678
ASSEMBLED ON WW 19, 2001
IN THE ASSEMBLY LINE "A"



Note: "P" in assembly line position
indicates Lead-Free"

OR

