



Please note that Cypress is an Infineon Technologies Company.

The document following this cover page is marked as “Cypress” document as this is the company that originally developed the product. Please note that Infineon will continue to offer the product to new and existing customers as part of the Infineon product portfolio.

Continuity of document content

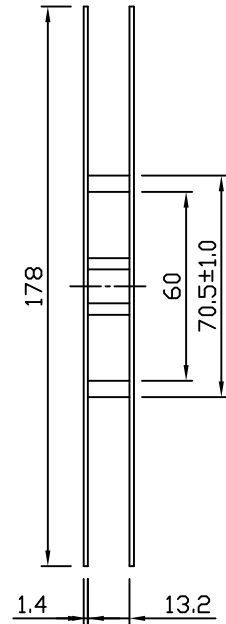
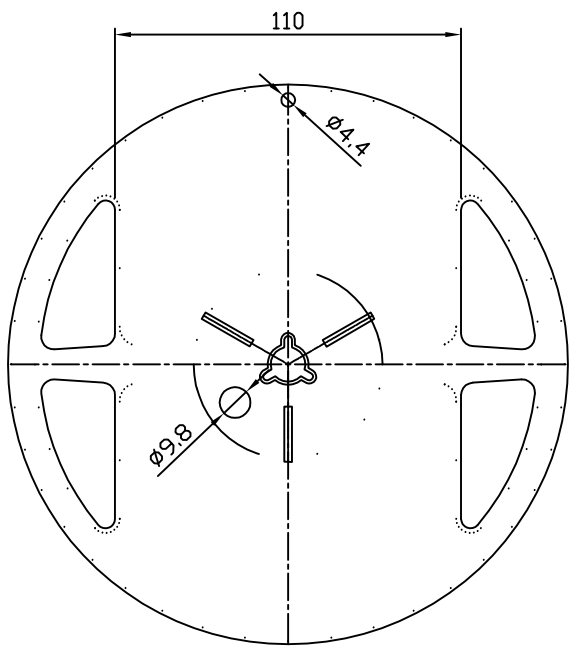
The fact that Infineon offers the following product as part of the Infineon product portfolio does not lead to any changes to this document. Future revisions will occur when appropriate, and any changes will be set out on the document history page.

Continuity of ordering part numbers

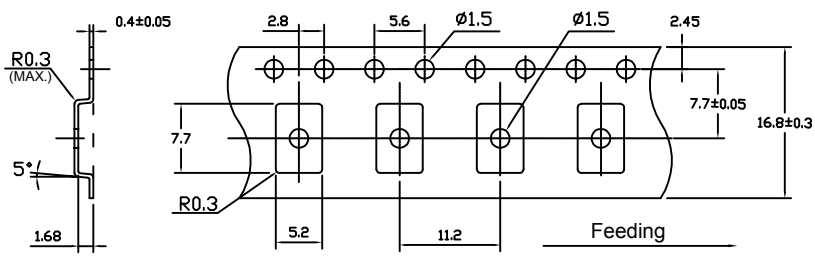
Infineon continues to support existing part numbers. Please continue to use the ordering part numbers listed in the datasheet for ordering.

1 2 3 4 5 6

REVISIONS						
PAGE	ZONE	REV	ECN	DESCRIPTION	DATE	APPROVED
1	-	**	385218	NEW RELEASE	06/30/05	N/A
1	-	*A	2934877	Changed template & title from 4LEAD LCC 3.2X5.0MM TAPE/REEL DRAWING to TAPE/REEL DWG., 4L LCC 3.2X5.0 MM TARLO4.	05/20/10	QAD
1	-	*B	3315553	NO CHANGE. SUNSET REVIEW.	07/18/11	N/A
1	-	*C	4456482	NO CHANGE. SUNSET REVIEW.	07/25/14	N/A



REEL



DIMENSIONS IN MM
GENERAL TOLERANCE: ± 0.15MM

TAPE

UNLESS OTHERWISE SPECIFIED ALL DIMENSIONS ARE IN MILLIMETERS STANDARD TOLERANCES ONE		DESIGNED BY N/A	DATE N/A	CYPRESS Company Confidential
DECIMALS .XX ± .XXX ± .XXXX ±	ANGLES ±	DRAWN BY RNU	DATE 06/30/05	
		CHECKED BY UDD	DATE 07/25/14	TITLE TAPE/REEL DWG., 4L LCC 3.2X5.0 MM TARLO4
		APPROVED BY QAD	DATE 07/25/14	SIZE A
		APPROVED BY UTD	DATE 07/25/14	PART NO. TARLO4
		APPROVED BY N/A	DATE N/A	DWG NO 001-02977
				REV *C
				SCALED TO FIT
				ENG'G REV. N/A
				SHEET 1 OF 1

THIS DRAWING CONTAINS INFORMATION WHICH IS THE PROPRIETARY PROPERTY OF CYPRESS SEMICONDUCTOR CORPORATION. THIS DRAWING IS RECEIVED IN CONFIDENCE AND ITS CONTENTS MAY NOT BE DISCLOSED WITHOUT WRITTEN CONSENT OF CYPRESS SEMICONDUCTOR CORPORATION.

1 2 3 4 5 6