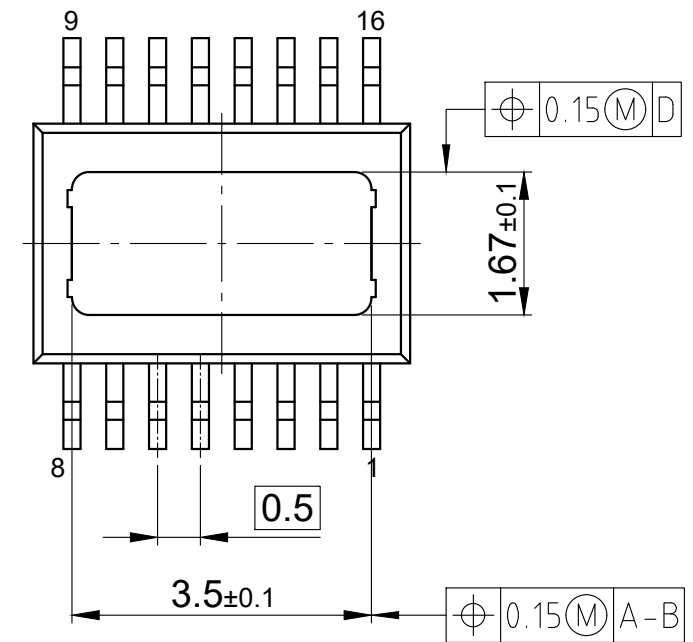
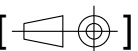


Bottom view



- 1) Does not include plastic or metal protrusion of 0.15 max. per side
- 2) Dambar protrusion shall be maximum 0.1 mm total in excess of lead width.

All dimensions are in units mm

The drawing is in compliance with ISO 128-30, Projection Method 1 [  ]

Drawing according to ISO 8015, general tolerances ISO 2768-mK