



**Please note that Cypress is an Infineon Technologies Company.**

The document following this cover page is marked as “Cypress” document as this is the company that originally developed the product. Please note that Infineon will continue to offer the product to new and existing customers as part of the Infineon product portfolio.

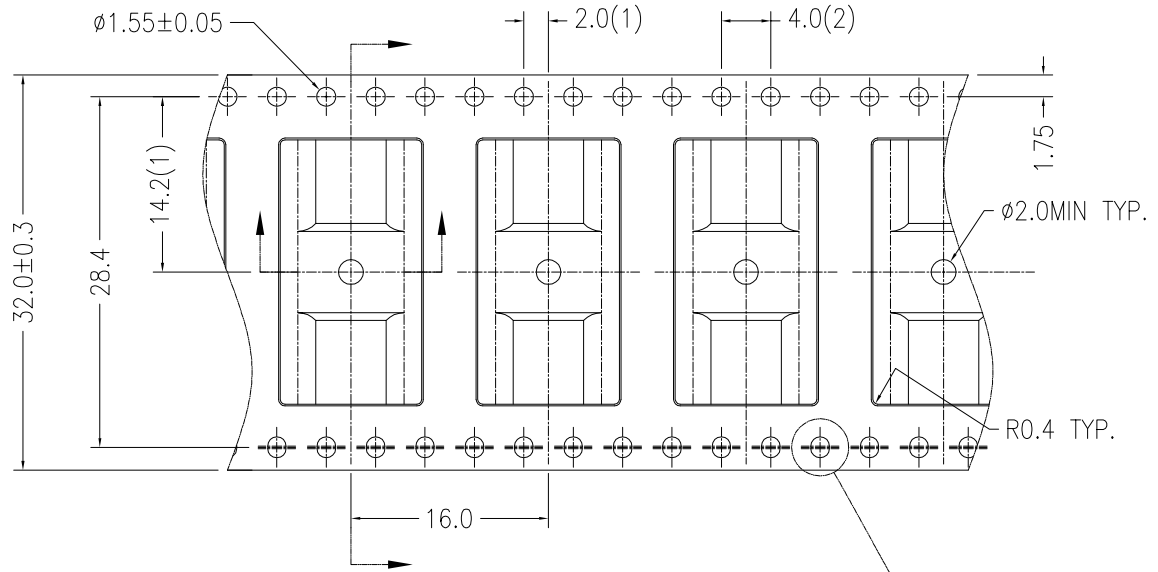
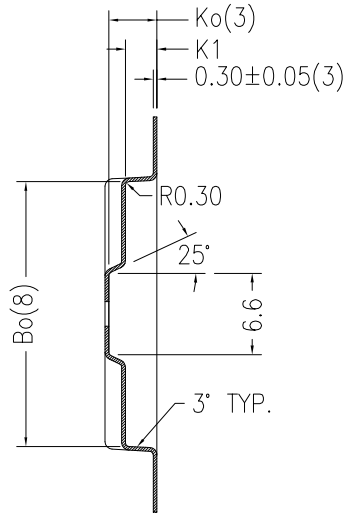
**Continuity of document content**

The fact that Infineon offers the following product as part of the Infineon product portfolio does not lead to any changes to this document. Future revisions will occur when appropriate, and any changes will be set out on the document history page.

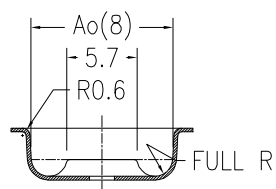
**Continuity of ordering part numbers**

Infineon continues to support existing part numbers. Please continue to use the ordering part numbers listed in the datasheet for ordering.

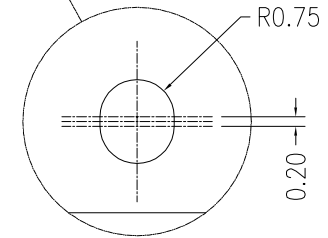
REVISIONS						
PAGE	ZONE	REV	ECN	DESCRIPTION	DATE	APPROVER
1	-	**	51564	NEW RELEASE	09/08/00	
1	-	*A	212903	CHANGED TITLE FROM 32LD SOJ CARRIER TAPE (400 MILS) TO CARRIER TAPE, SOJ 32 (400 MILS).COMPLETE REVISION (CHANGED DESIGN) OF DRAWING	03/23/04	
1	-	*B	3207392	CHANGE TITLE FROM CARRIER TAPE, SOJ 32 (400 MILS) TO CARRIER TAPE, SOJ 32 (400 MILS) (PEAK) UPDATED DRAWING BASED ON SUPPLIER'S LATEST DRAWING REVISION CHANGED DRAWING TEMPLATE	03/30/11	
1	-	*C	4562017	UPDATE DRAWING TEMPLATE	11/04/14	



$A_o = 11.50 \pm 0.1 \text{ mm}$   
 $B_o = 21.45 \pm 0.1 \text{ mm}$   
 $K_o = 3.90 \pm 0.1 \text{ mm}$   
 $K_1 = 2.55 \pm 0.1 \text{ mm}$



USER FEED DIRECTION →



NOTES:

- (1). MEASURED FROM THE CENTERLINE OF SPROCKET HOLE TO CENTERLINE OF THE POCKET HOLE AND FROM THE CENTERLINE OF SPROCKET HOLE TO CENTERLINE OF THE POCKET.
- (2). CUMULATIVE TOLERANCE OF 10 SPROCKET HOLES IS  $\pm 0.20$
- (3). THIS THICKNESS IS APPLICABLE AS MEASURE AT THE EDGE OF THE TAPE.
1. MATERIAL:BLACK POLYSTYRENE
5. DIMENSIONS ARE IN MILLIMETERS.
6. ALLOWABLE CAMBER TO BE 1MM PER 100MM IN LENGTH, NON-CUMULATIVE OVER 250MM.
7. UNLESS OTHERWISE SPECIFIED, TOLERANCE  $\pm 0.10$ .
- (8). MEASUREMENT POINT TO BE 0.3 FROM BOTTOM POCKET.
9. SURFACE RESISTIVITY FROM  $1.0 \times 10^5$  TO  $1.0 \times 10^{11}$  OHMS/SQ

UNLESS OTHERWISE SPECIFIED		DESIGNED BY	DATE	CYPRESS COMPANY CONFIDENTIAL			
ALL DIMENSIONS ARE IN MILLIMETERS STANDARD TOLERANCES ON:		DRAWN <b>XVC</b>	DATE <b>11/05/14</b>	<b>CYPRESS COMPANY CONFIDENTIAL</b> TITLE <b>CARRIER TAPE, SOJ 32 (400 MILS) (PEAK)</b>			
DECIMALS XX $\pm 0.25$ XXX $\pm 0.13$ XXXX $\pm 0.1000$	ANGLES $\pm 0.5$	CHK BY <b>ECVI</b>	DATE <b>11/05/14</b>				
MATERIAL <b>SEE NOTE</b>		APPROVED BY <b>QAD</b>	DATE <b>11/05/14</b>	SIZE <b>A</b>	PART NO. <b>V32.4CT</b>	DWG NO <b>51-51072</b>	REV <b>*C</b>
FINISH <b>SEE NOTE</b>		APPROVED BY <b>UYO</b>	DATE <b>11/05/14</b>	DO NOT SCALE		SHEET 1 OF 1	