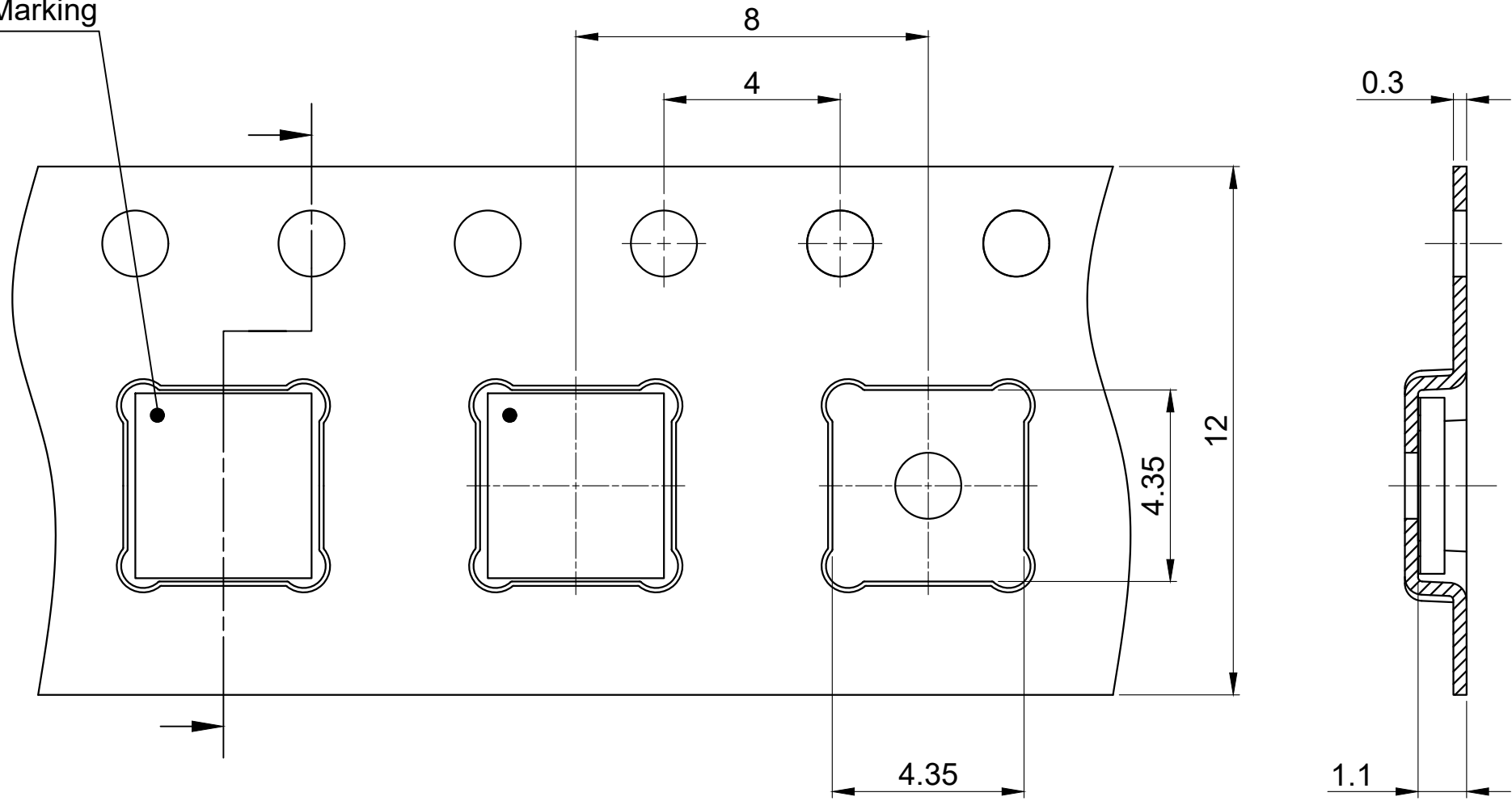
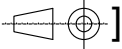


Index Marking



All dimensions are in units mm

The drawing is in compliance with ISO 128-30, Projection Method 1 [  ]