



Please note that Cypress is an Infineon Technologies Company.

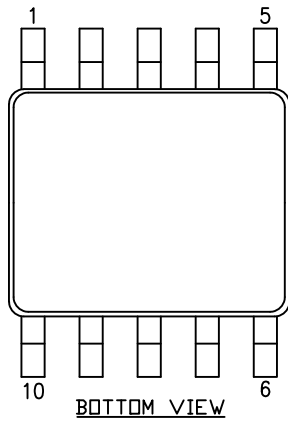
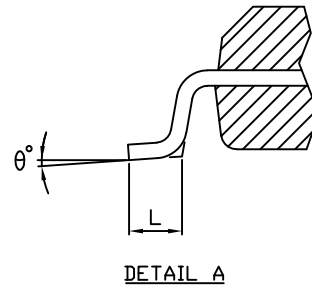
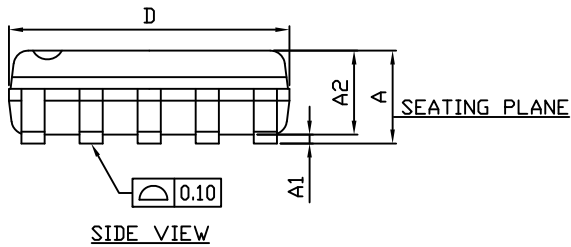
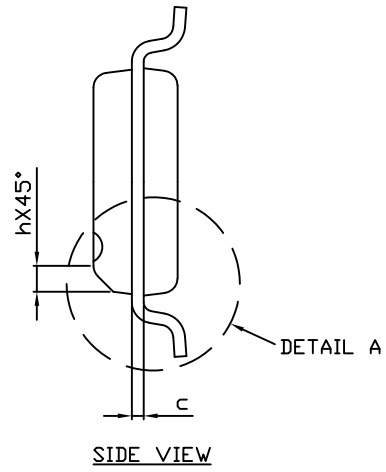
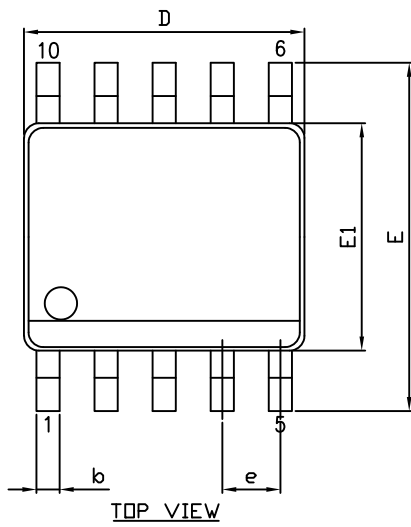
The document following this cover page is marked as “Cypress” document as this is the company that originally developed the product. Please note that Infineon will continue to offer the product to new and existing customers as part of the Infineon product portfolio.

Continuity of document content

The fact that Infineon offers the following product as part of the Infineon product portfolio does not lead to any changes to this document. Future revisions will occur when appropriate, and any changes will be set out on the document history page.

Continuity of ordering part numbers

Infineon continues to support existing part numbers. Please continue to use the ordering part numbers listed in the datasheet for ordering.



SYMBOL	DIMENSIONS		
	MIN	NOM	MAX
A	-	-	1.75
A1	0.10	-	0.25
A2	1.25	-	-
b	0.30	-	0.45
c	0.10	-	0.25
D	4.90 BSC		
E	6.00 BSC		
E1	3.90 BSC		
e	1.00 BSC		
L	0.40	-	1.27
h	0.25	-	0.50
θ°	0	-	8
N	10		

NOTES:

1. ALL DIMENSIONS ARE IN MILLIMETERS.
2. DIMENSIONS "D" DOES NOT INCLUDE MOLD FLASH, PROTRUSIONS OR GATE BURRS. MOLD FLASH, PROTRUSIONS AND GATE BURRS SHALL NOT EXCEED 0.15mm PER SIDE.
3. DIMENSIONS "E1" DOES NOT INCLUDE INTER-LEAD FLASH, OR PROTRUSIONS. INTER-LEAD FLASH AND PROTRUSIONS SHALL NOT EXCEED 0.25mm PER SIDE.
4. JEDEC SPECIFICATION NO. REF. : N/A.

REVISIONS			
Rev	ECN No.	Orig. of change	Reason for Revision
**	6467067	KOTA	New release



TITLE PACKAGE OUTLINE, 10 LEAD SOIC
4.90X3.90X1.75 MM SZ10A

SPEC NO. 002-26358 REV **

SCALE : TO FIT SHEET 2 OF 2

THIS DRAWING CONTAINS INFORMATION WHICH IS THE PROPRIETARY PROPERTY OF CYPRESS SEMICONDUCTOR CORPORATION. THIS DRAWING IS RECEIVED IN CONFIDENCE AND ITS CONTENTS MAY NOT BE DISCLOSED WITHOUT WRITTEN CONSENT OF CYPRESS SEMICONDUCTOR CORPORATION.

PACKAGE CODE(S)

SZ10A

DRAWN BY KOTA	DATE 31-JAN-19
APPROVED BY JVP	DATE 31-JAN-19